



D-GUARD / TOP RACK INSTALLATION MANUAL

www.lluvia.in



LLUVIA
INDUSTRIES

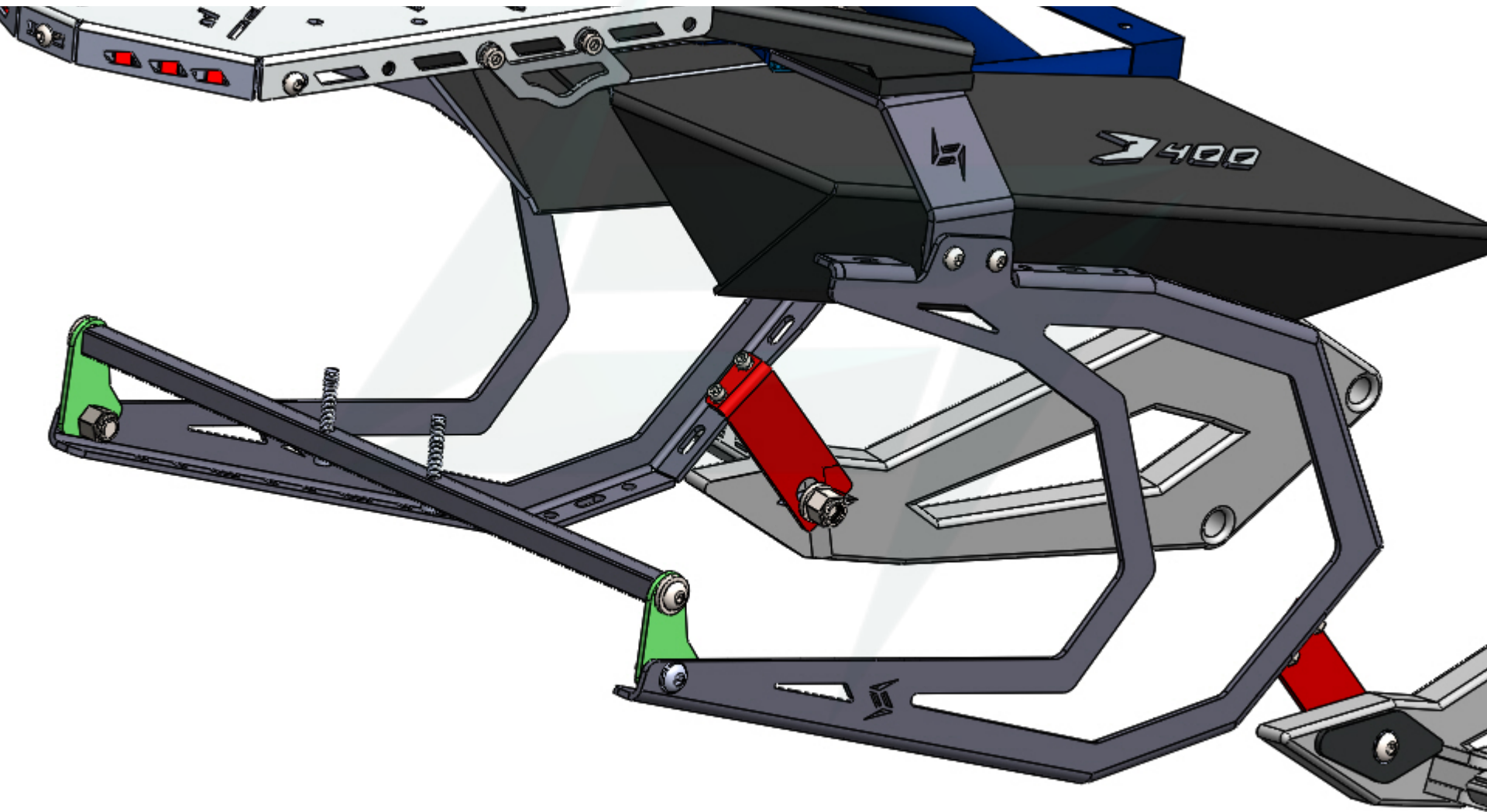
Grand Touring Accessories

www.lluvia.in

SETUP SCHEMATIC VIEW: FRONT RIGHT



SETUP SCHEMATIC VIEW: REAR RIGHT



RIGHT SIDE TOP CLAMP

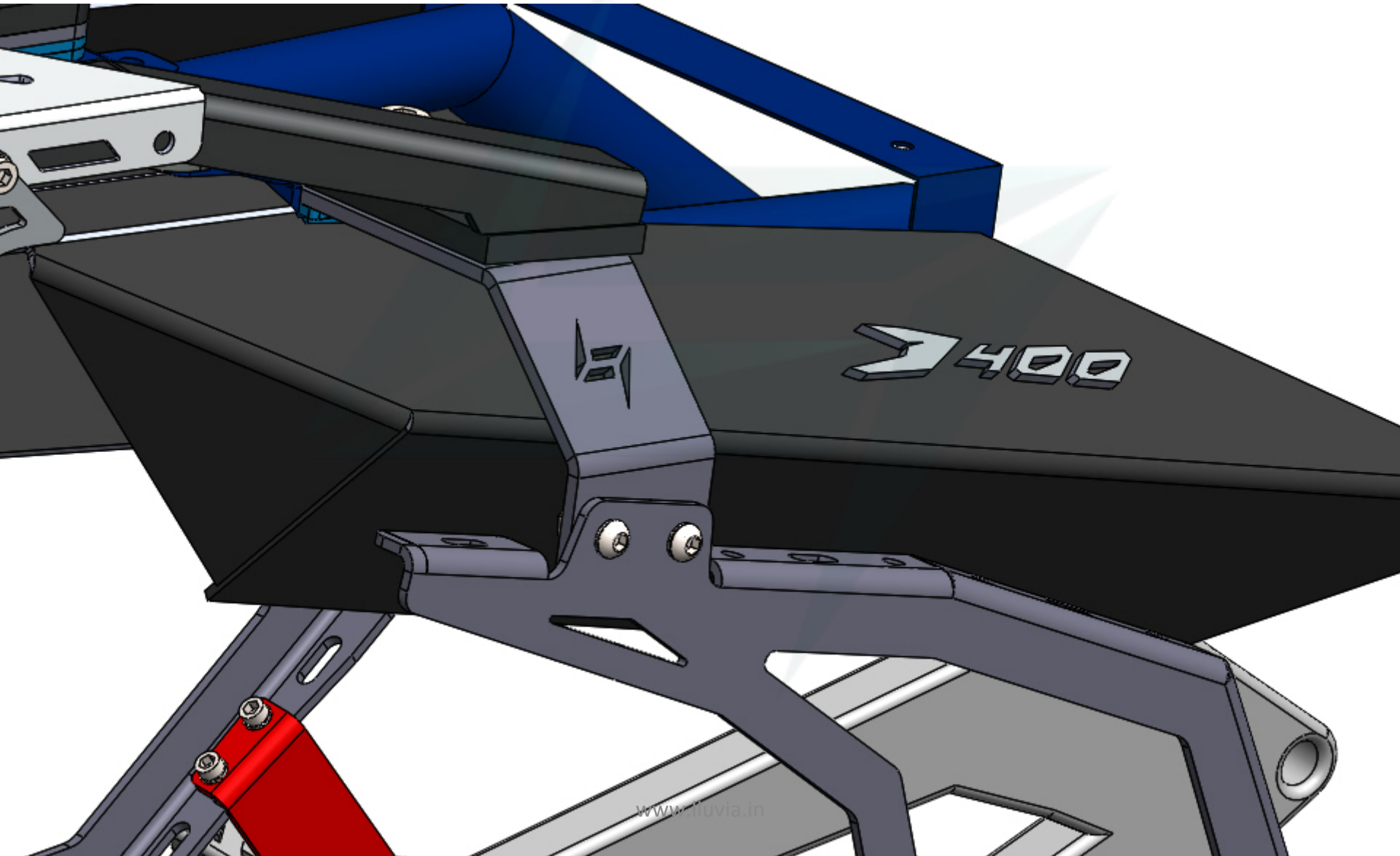


TAPER POINTS FRONT ON BOTH LEFT
AND RIGHT SIDE

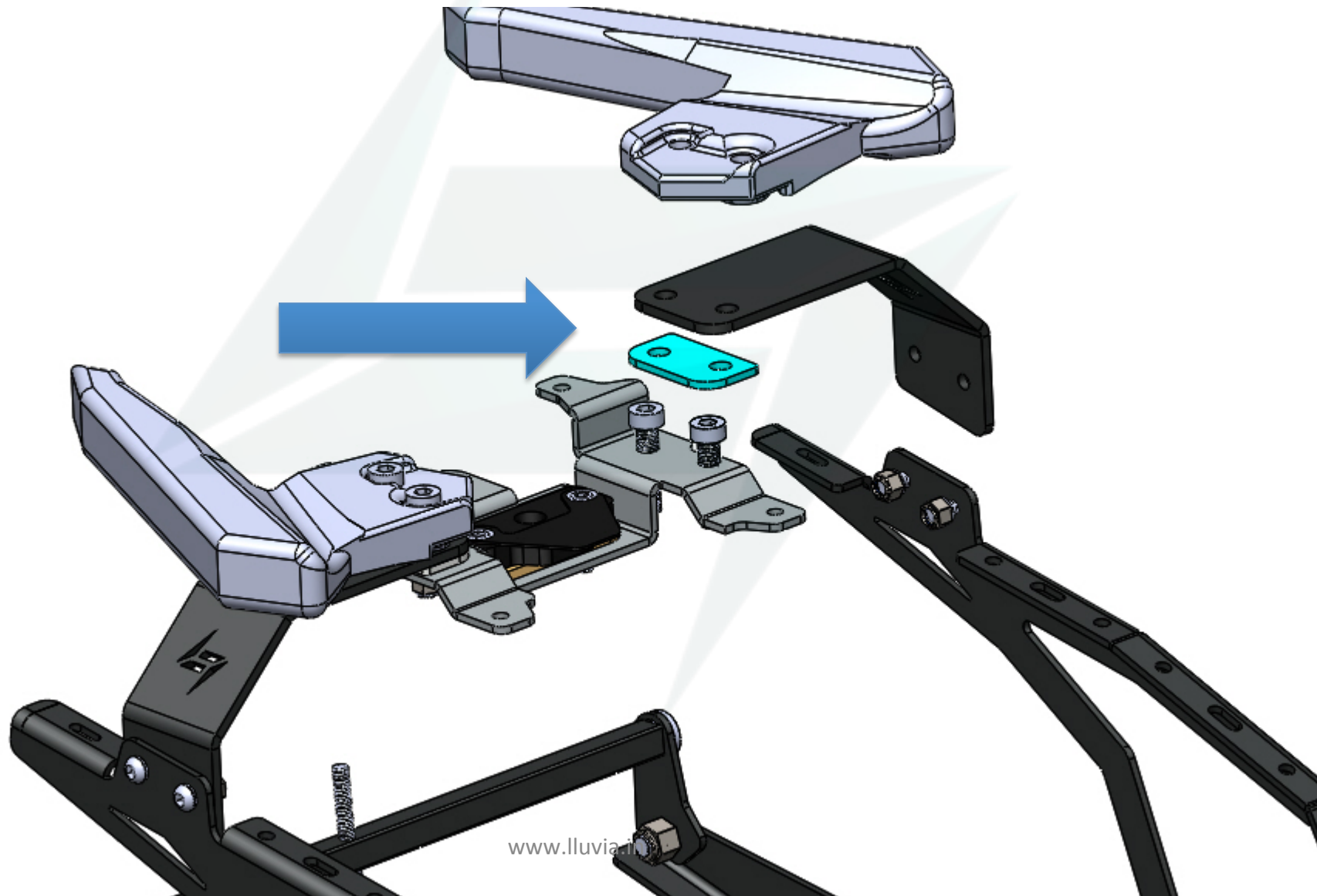
NOTE: TOP CLAMPS VARY LEFT AND RIGHT SIDE.

← REAR --- FRONT →

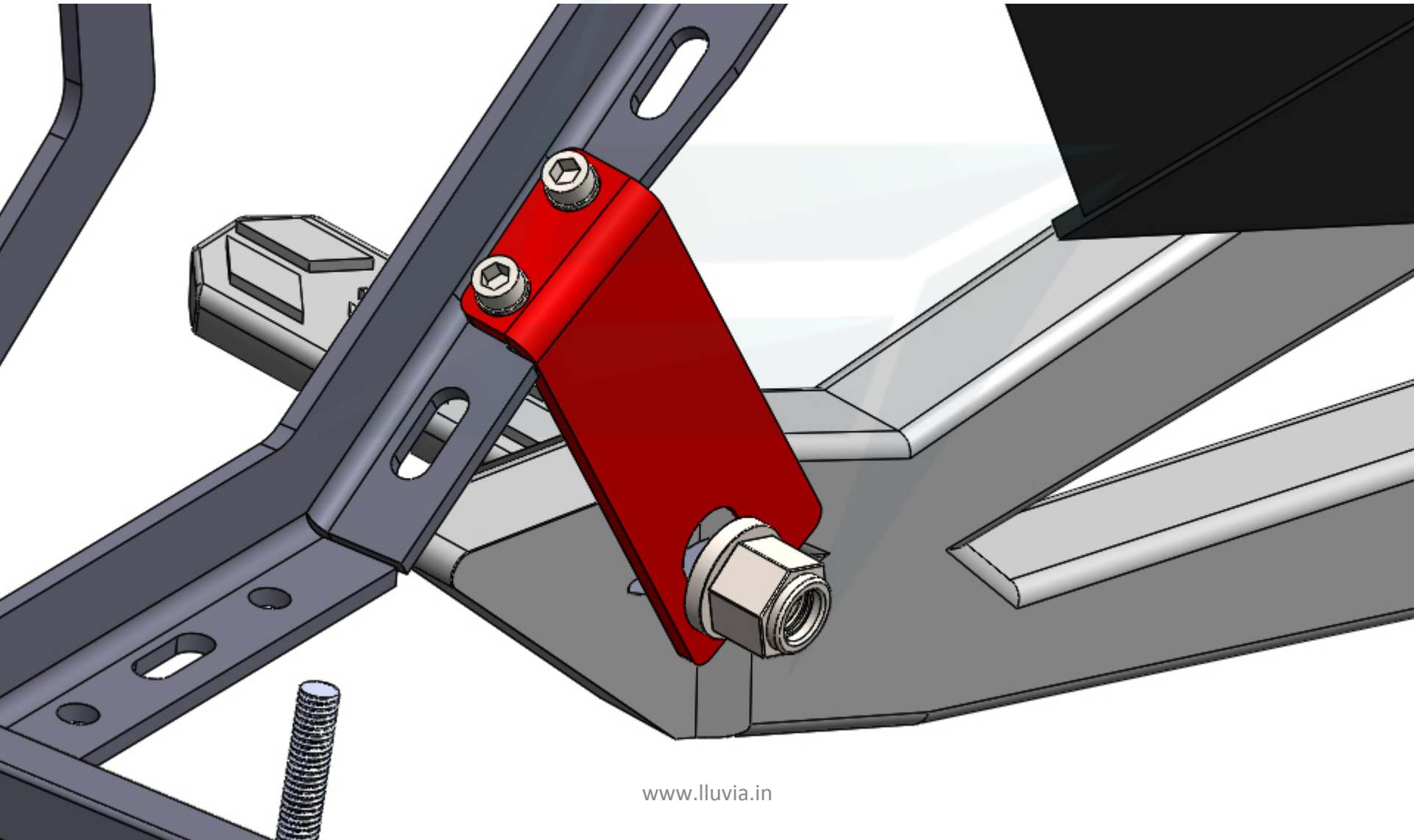
TOP CLAMP AND D-GUARD

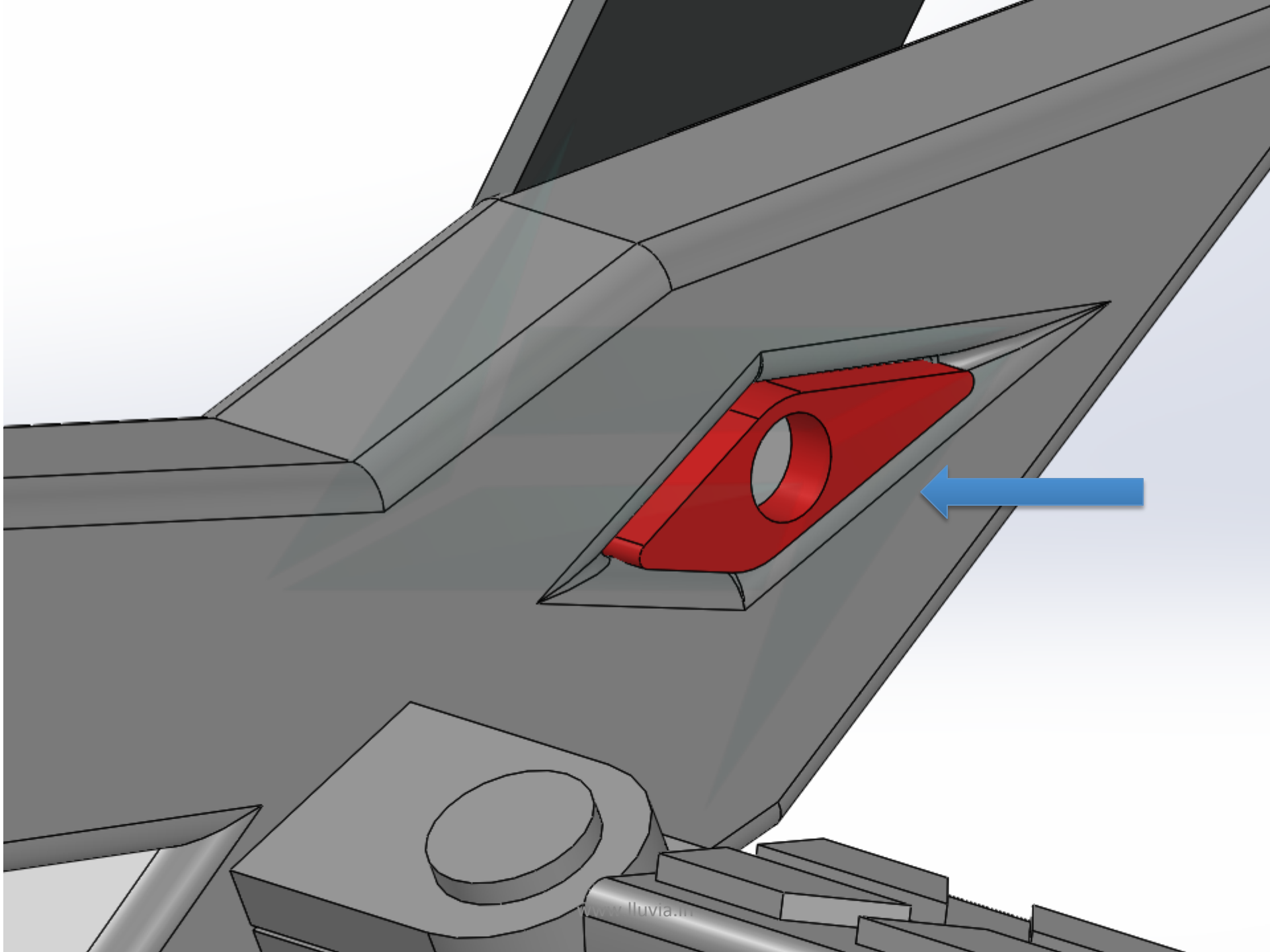


TOP CLAMP MOUNTING



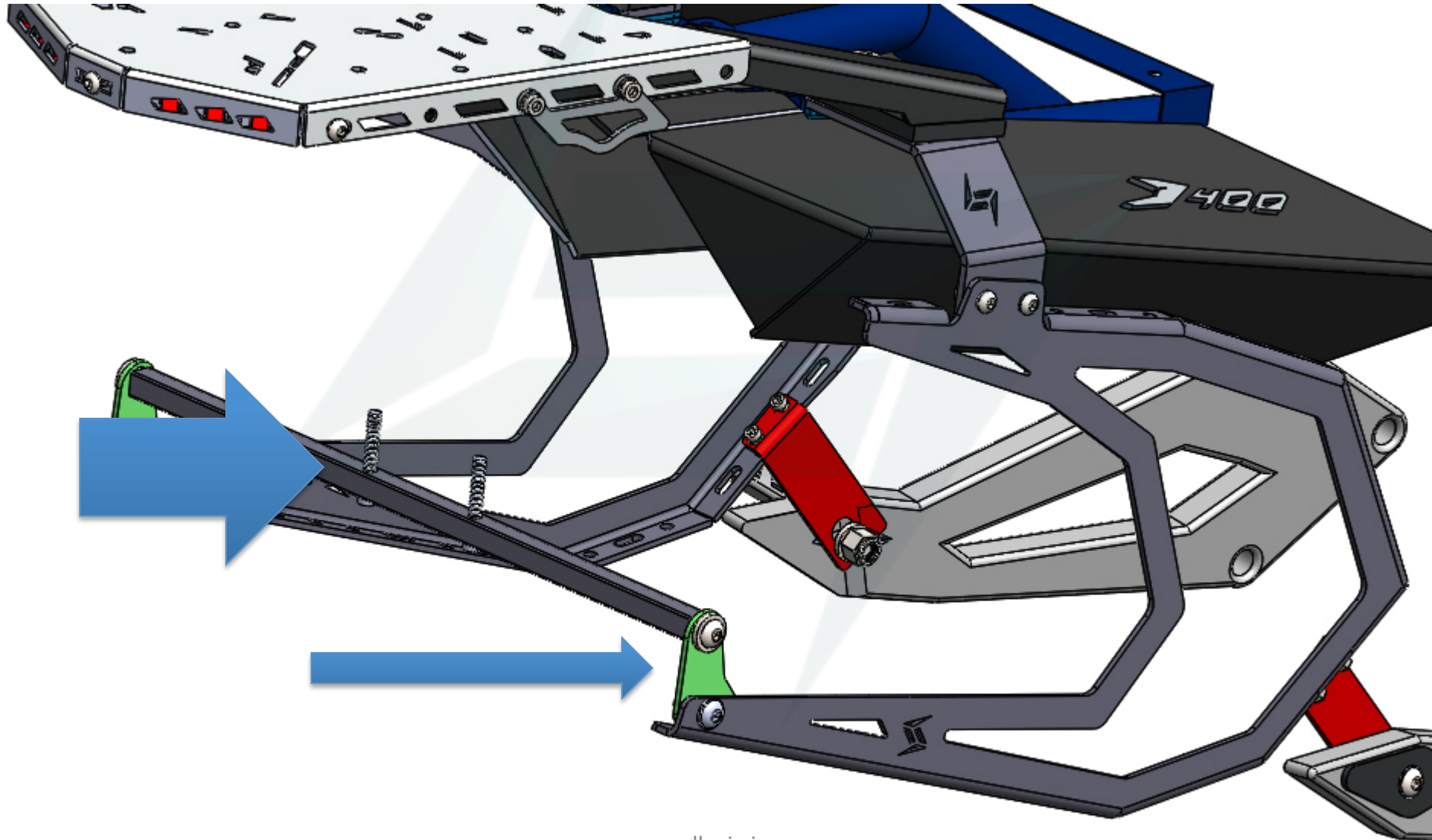
FRONT CLAMP MOUNTING



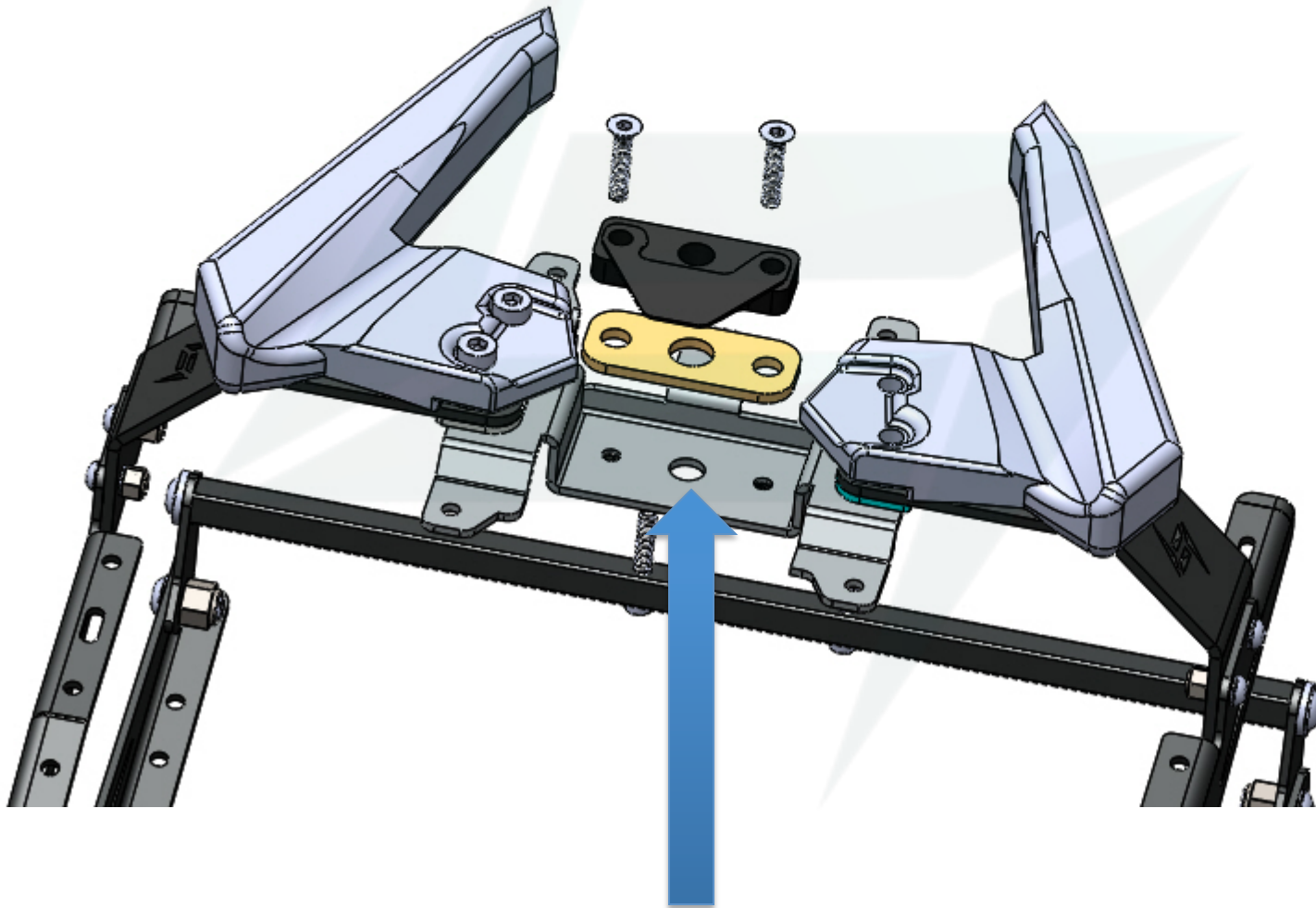




REAR BAR AND SPACER



LOCK RISER



TOP RACK PLACEMENT OVER D-GUARD

